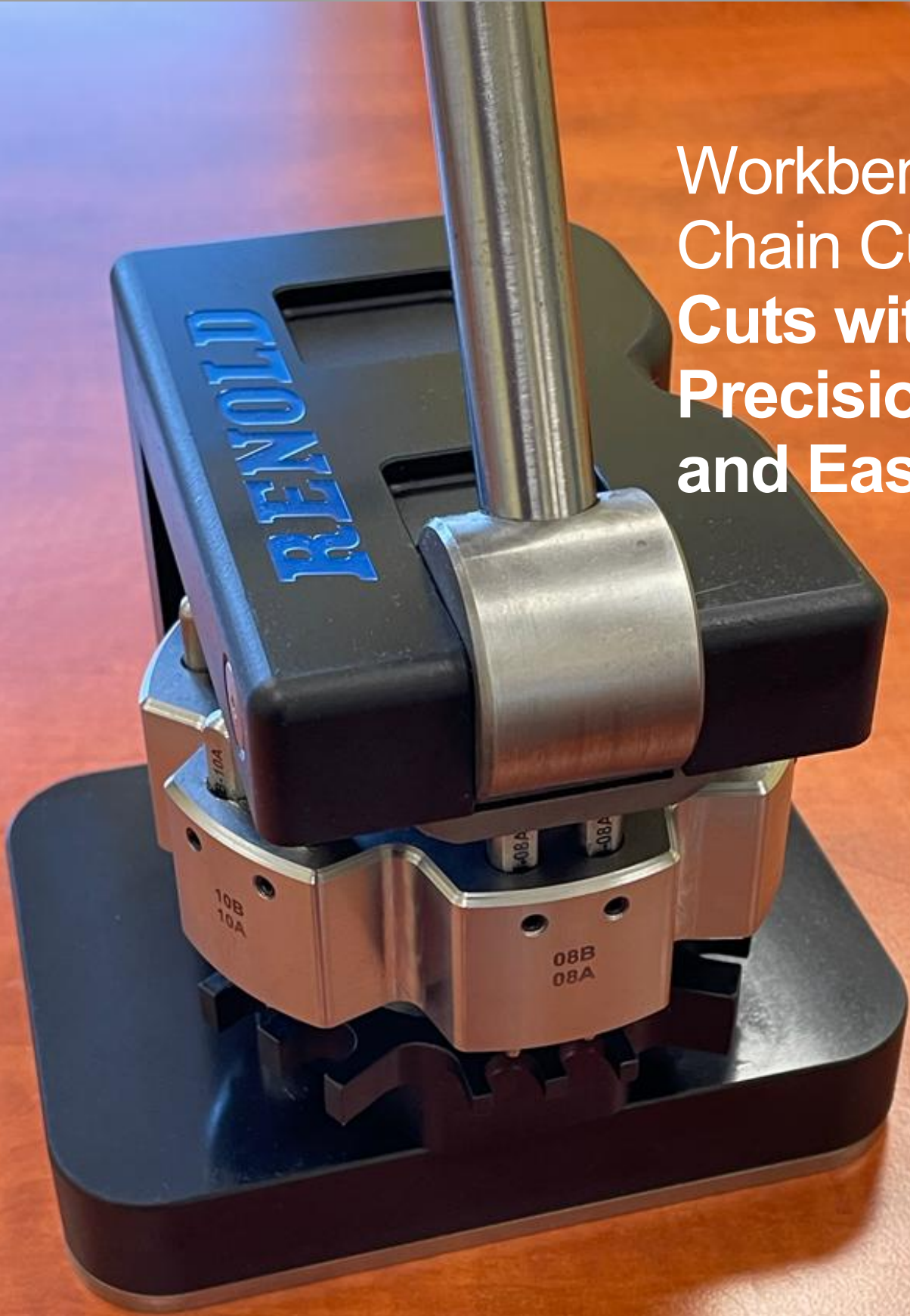
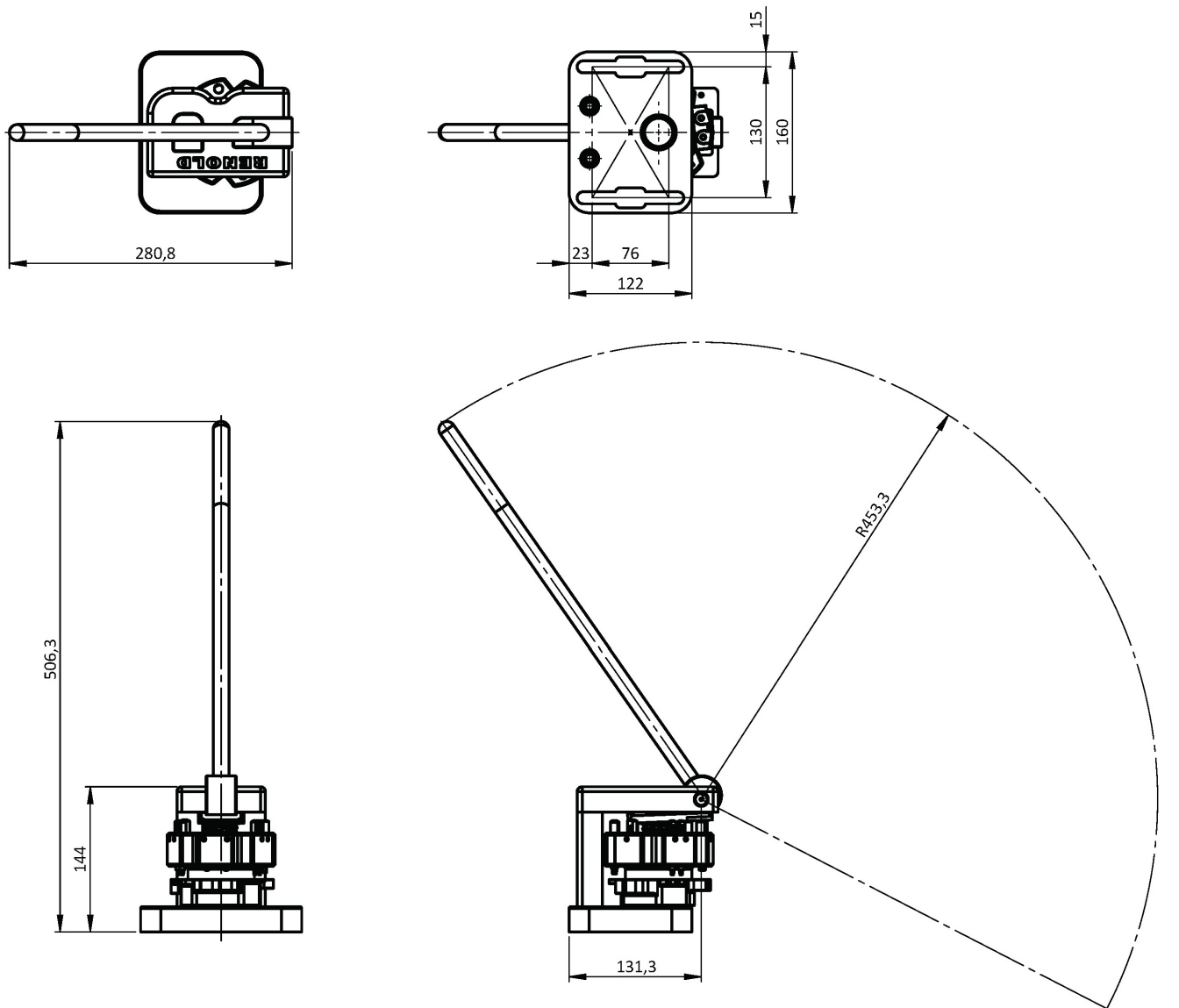


Workbench
Chain Cutter
Cuts with
Precision
and Ease



Renold Chain Cutter 3060211



- Cuts 05B to 16B, Ansi 35 to Ansi 80 including 60 and 80H and HV in addition to 1/2" and 5/8" narrow chains
- Cuts one outer link with the exception of 16B/80 with single pin
- Robust design with corrosion protection for workshop environments
- Weight 11.23 Kg
- Solid mounting plate and additional T-keys for work bench assembly

